

## Automatic Pressure Monitor

### Ideal price-to-performance ratio!



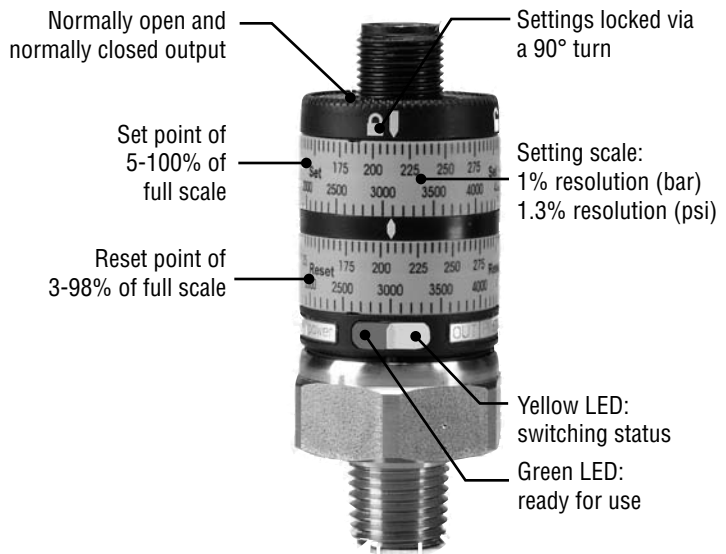
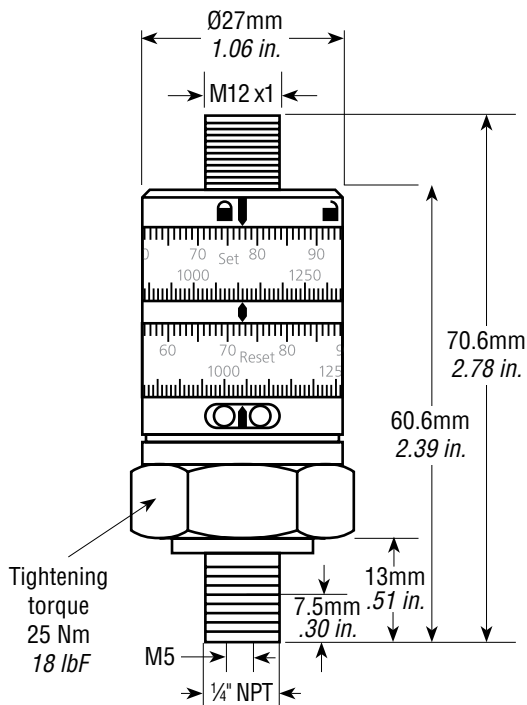
The APM-5800 monitors nitrogen gas pressure in manifolds and hosed gas spring systems. Each unit comes complete with the automatic pressure monitor, cable, and protective cover.



### APM-5800 Features

- **Wide measuring range:** detect pressure from 0-400 bar (0-5800 psi).
- **Extreme durability:** a 316 stainless steel process connection is contained in a housing less than 3 inches long.
- **Simple set up:** mechanical adjustment dials rotate quickly to select set point and reset point. No system pressure or supply voltage needed.
- **No calibration required:** LEDs provide status.
- **No set point drift:** the unit's high accuracy and long-term stability ensure the set point does not drift.
- **Locking device:** protects against unintentional set point changes.
- **No moving parts:** reduces wear and prevents leaks.

# APM-5800



## APM-5800 Specifications

|  |                                       |
|--|---------------------------------------|
| Application                              | Gases and Liquids                     |
| Connection                               | 4-wire Micro DC                       |
| Operating voltage                        | 9.6-32 DC V                           |
| Current consumption                      | <25 mA                                |
| Current rating                           | 500 mA                                |
| Switching frequency                      | 100 Hz                                |
| Setting accuracy                         | < $\pm 2.5\%$ of full scale           |
| Repeatability                            | < $\pm 0.5\%$ of full scale           |
| Temperature drift per 10K                | < $\pm 0.5\%$ of full scale           |
| Reverse polarity                         | Yes                                   |
| Overload protection                      | Yes                                   |
| Medium temperature/Operating temperature | -25° to 80°C/ -13° to 176°F           |
| Protection rating                        | IP 67                                 |
| Switching cycles                         | 50 million at nominal pressure        |
| Materials wetted parts                   | 316 stainless steel                   |
| Housing materials                        | PC, PBTP, Viton®, 316 stainless steel |
| Shock resistance                         | 50 g (DIN/IEC 68-2-27, 11ms)          |
| Vibration resistance                     | 20 g (DIN/IEC 68-2-6, 10-2000 Hz)     |
| Insulation resistance                    | >100 M $\Omega$ (500 V AC/DC)         |

# HYSON