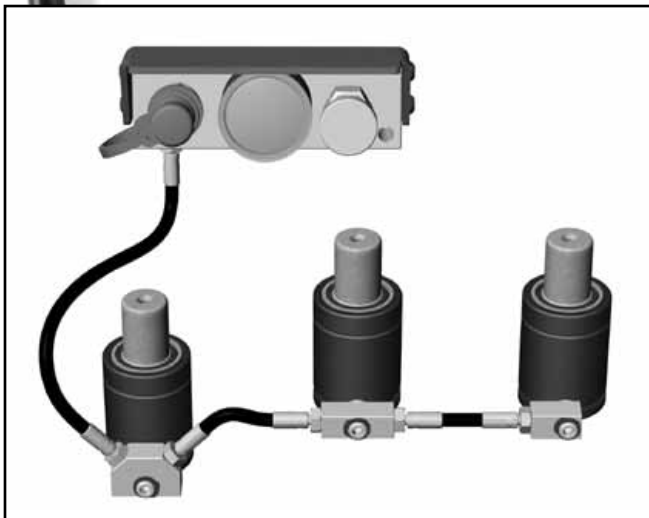


Actual  
Size

# M I C R O E Z H O S E

S Y S T E M

**ENGINEERED FOR  
SMALL DIES WHERE  
SPACE IS LIMITED!**



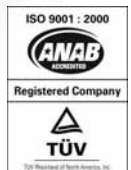
The Micro EZ Hose System is ideal for hosing together gas springs in applications where standard hose and fittings cannot be used. Engineered especially for smaller and progressive dies where space is limited, the Micro EZ Hose System provides pressure adjustability, pressure monitoring, and uniform spring pressure – all in a small footprint.

Compare it to standard ORH-4, 13 mm/.51" diameter elastomeric hose with JIC or O-ring face fittings:

- Reduced minimum bend radius: 20 mm/.79" for EZ Hose and 50 mm/2.0" for ORH-4 hose.
- More compact 45°, 90° and 180° hose adapters compared to standard elbows, tee and unions.
- Multiport control panel allows hoses to be connected directly, without adapters.

## Hyson® Products

A Business of Barnes Group Inc.



# The Micro EZ Hose System Components

## Components

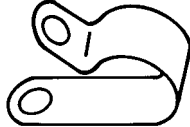
- Flexible 5 mm/.20" diameter hose
- M8X1 hose ends
- Service fittings for M6, G1/8, and 7/16-20 gas spring ports
- Small control panel with 16-M8 connection ports
- Compact 45°, 90° and 180° hose adapters

## Hose Specifications

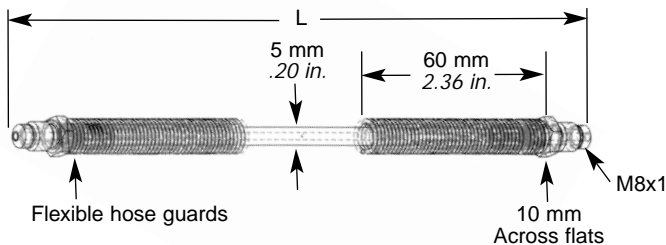
ID	2mm/.08 in.
OD	5mm/.20 in.
Burst Pressure	2000 bar / 29000 psi
Min. Bend Radius	20mm/.79 in.

## Hose Clamp HC-2 (Optional)

Holds hose in place to avoid twisting and chafing



## Micro EZ Hose



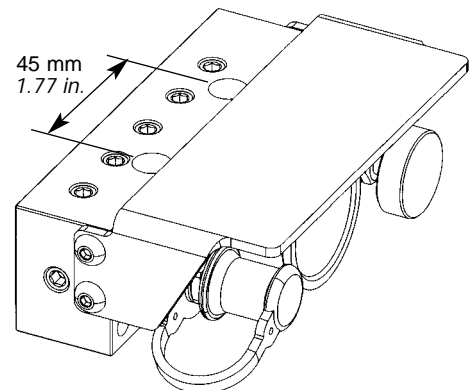
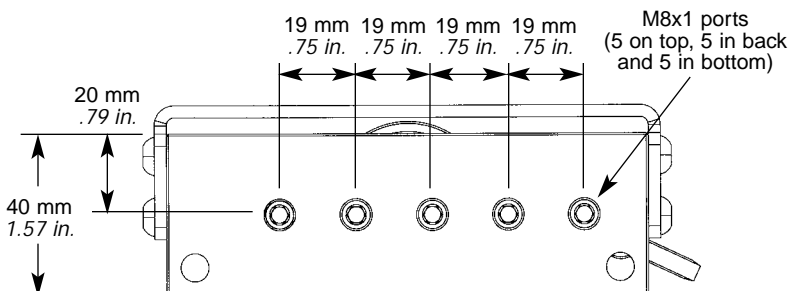
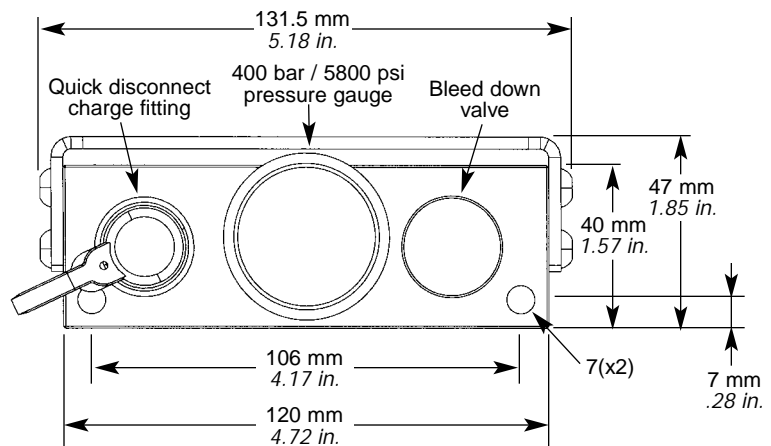
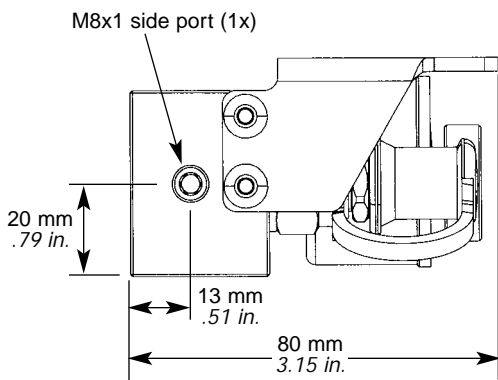
## Dimensions

Part No.	L mm/in.
EZH-2-M8-0200	200/7.9
EZH-2-M8-0300	300/11.8
EZH-2-M8-0400	400/15.7
EZH-2-M8-0630	630/24.8
EZH-2-M8-0800	800/31.5
EZH-2-M8-1000	1000/39.4
EZH-2-M8-2000	2000/78.7
EZH-2-M8-XXXX*	XXXX

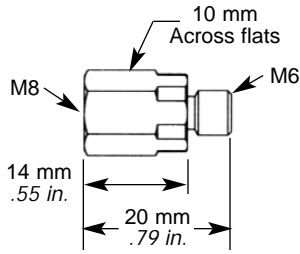
\*For custom lengths

## Control Panel

### CP-N2-EZ

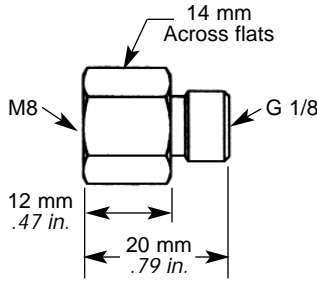


## Spring to M8 Hose Straight Fittings



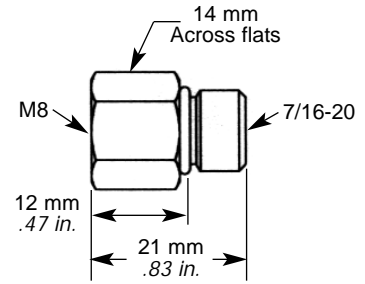
### EZ-503763

From M6 spring to M8 EZ hose end  
(For T3-350, T3-500, T3-750, T3-1000, T3-1500, T3-2400, T2L-300)



### EZ-503765

From G1/8 spring to M8 EZ hose end  
(For T3-4200, T3-6600, T3-9500, N-750, N-1500, N-3000, N-5000, N-7500, T2SC with -SP side ports)

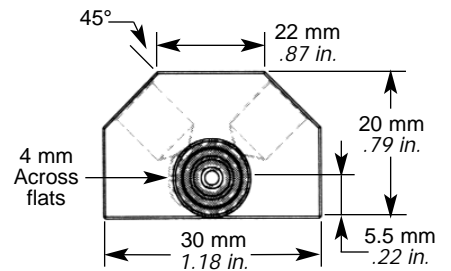
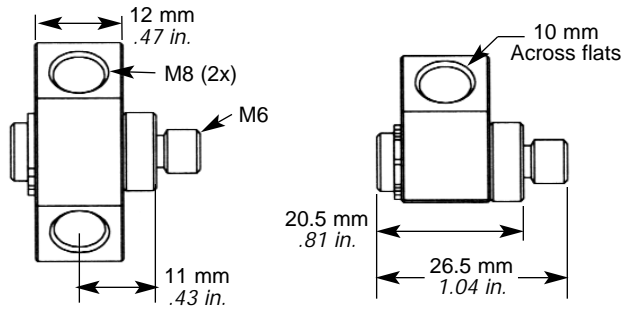
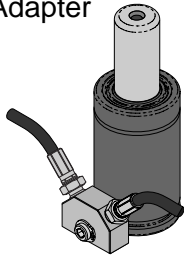


### EZ-503815

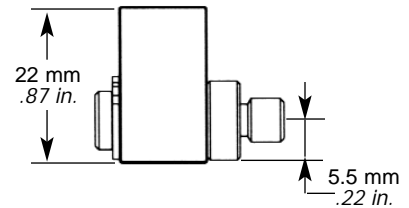
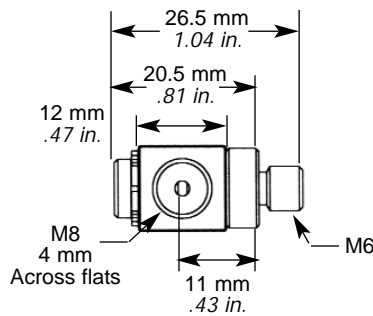
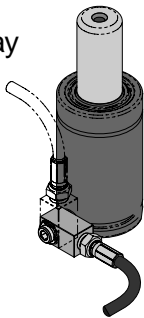
From 7/16-20 spring to M8 EZ hose end  
(For T2L-500, T2L-750, T2L-1500, T2L-3000, T2L-5000, T2-750, T2B-1500, T2B-3000, T2B-5000, T2-7500)

## M6 Spring Angle Adapters

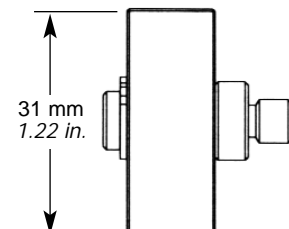
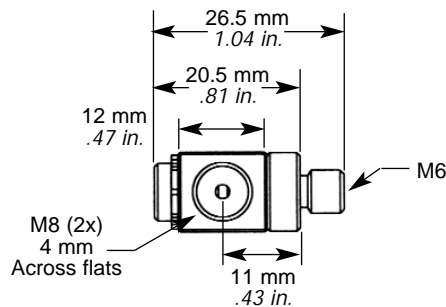
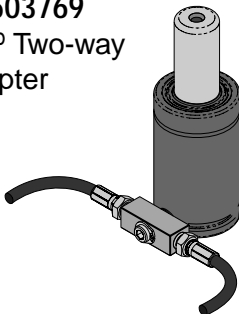
### EZ-503767 45° Two-way Adapter



### EZ-503768 90° One-way Adapter



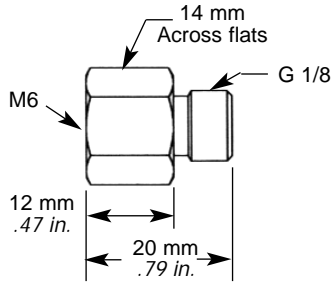
### EZ-503769 180° Two-way Adapter



## Spring Adapters for Connection to M6 Angle Adapters (required on springs with G1/8 or 7/16-20 ports)

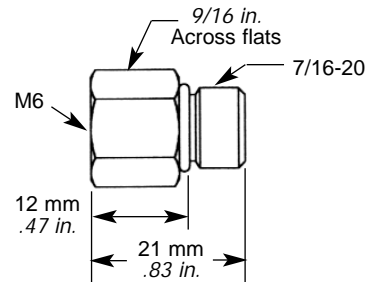
**EZ-503764**

From G1/8  
spring to M6  
angle adapters



**EZ-503814**

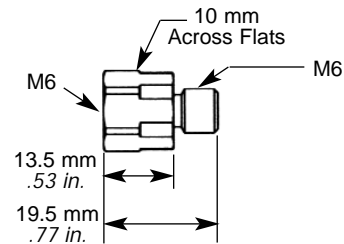
From 7/16-20  
spring to M6  
angle adapters



## Spring Extension

**EZ-503762**

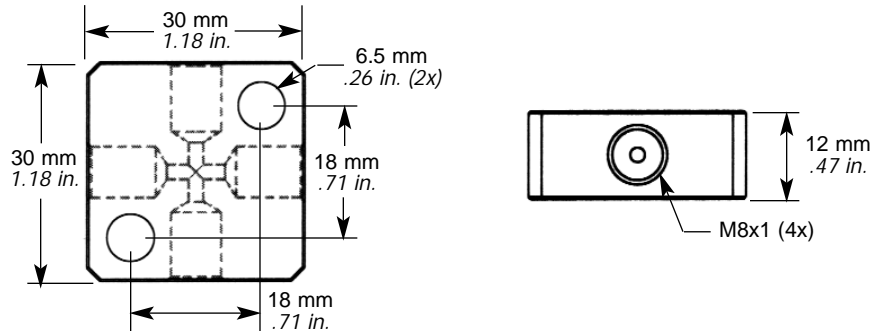
M6 spring to M6 extension for lower flange mount



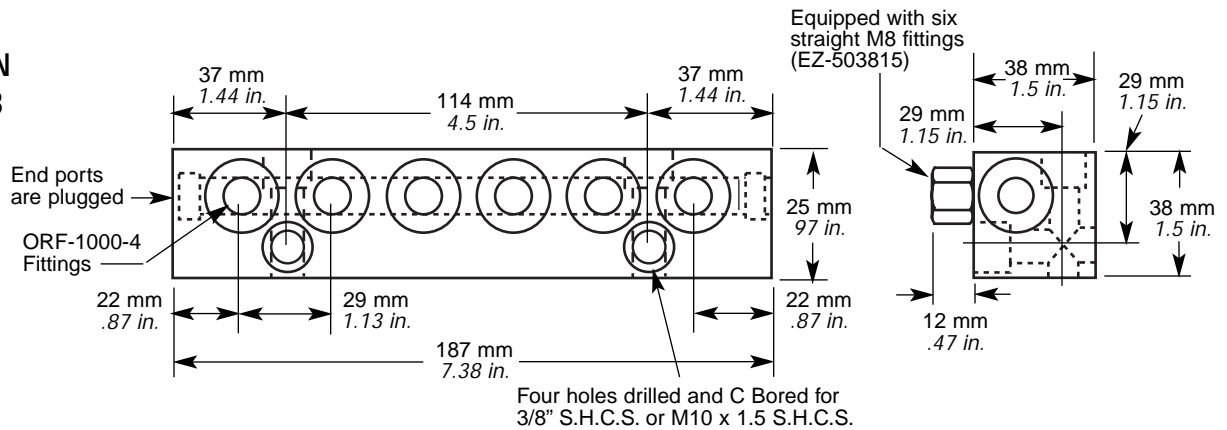
## Distribution Blocks

**EZ-503770**

Four-way junction block



**TNKMAN  
6 EZ-M8**



# Hyson® Products

A Business of Barnes Group Inc.