

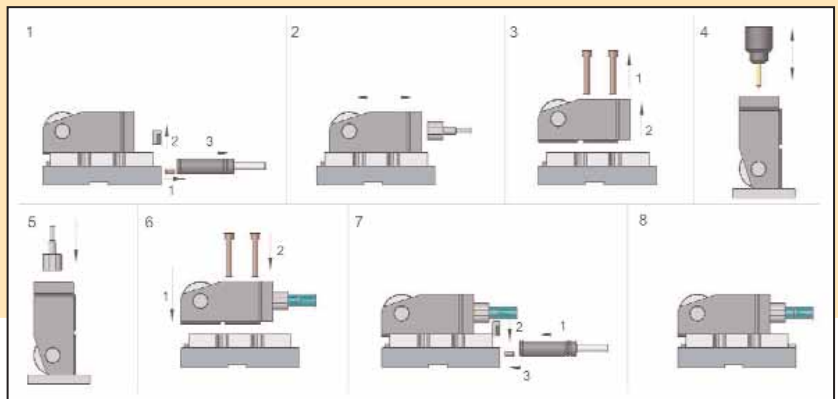
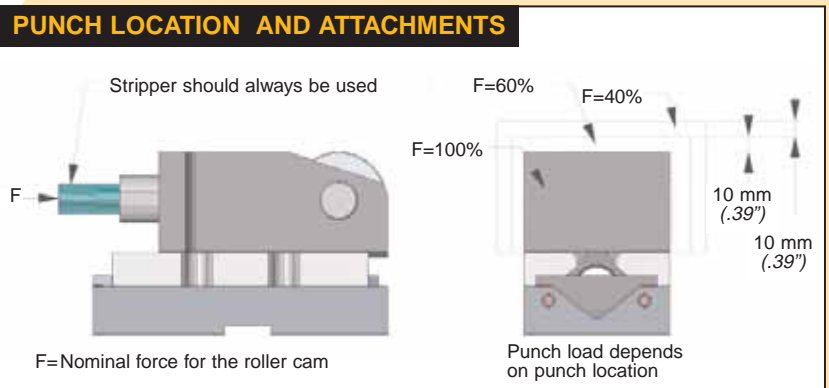
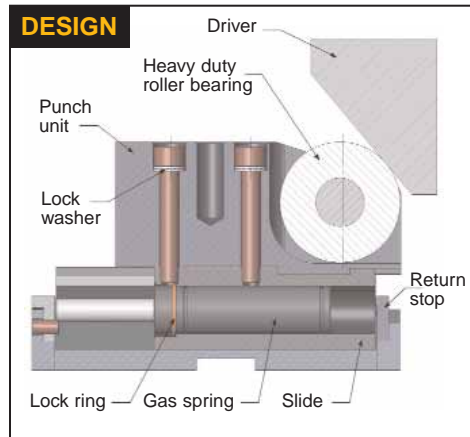
# Roller Cam Units



The new generation of Dyne-A-Cam® roller cams has been developed to meet the industry's increasing demands on standard cam units. Our three models are engineered for a minimum service life of one million cycles! Choose from a range of piercing forces: RC2-30 offers 30kN (3.37 ton); RC2-50 offers 50kN (5.62 ton); and RCP2-150 provides 150 kN (16.86 ton). Roller cams can be mounted at any angle, with a 50-degree angle required between a user-supplied driver and the motion of cam. The contact surface of the driver should be hardened to 58-60 HRC.

### Features:

- Precision guiding allows more off-center loading and upside-down installation.
- Built in return stroke dampening.
- Simple punch attachment.
- Maintenance-free operation.
- Heavy duty roller bearing transfers force from driver to cam.
- All models feature Hyson nitrogen gas springs for return force.



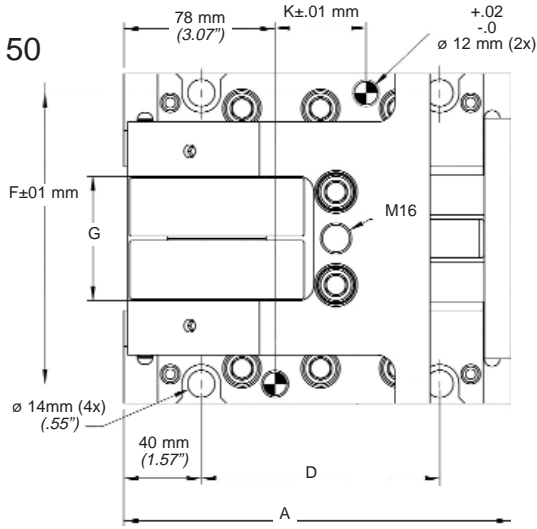
## Hyson® Products

A Business of Barnes Group Inc.

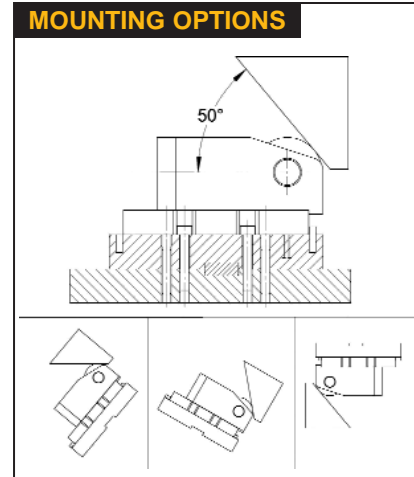
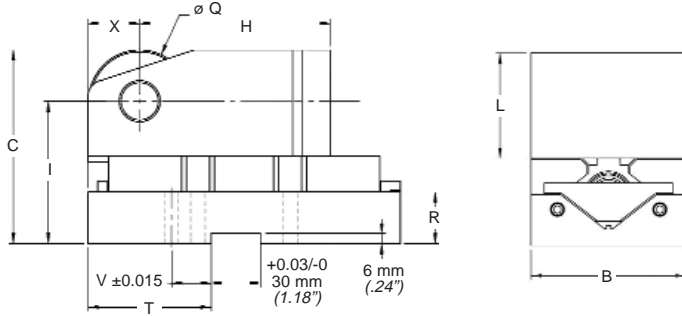
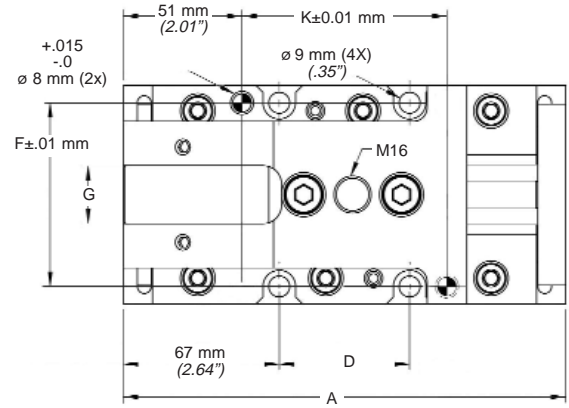
Dynamic Solutions For A Global Market™



RCP2-150



RC2-30  
and  
RC2-50



Order No.	S Stroke	A	B	C	D	F	G	H	I	K	L	Q	R	T	V	X	Max width of driver	
<b>Nominal force 30,000 N (3.37 Tons)</b>		<b>Initial return force 2000 N (450 lbs.)</b>					<b>Gas Spring T2-180</b>											
RC2-30 X 50	mm	50	190	94	117	56	79	25	116	86	88	64	62	31	75	24	31	31
	in.	1.97	7.48	3.70	4.61	2.20	3.110	0.98	4.57	3.39	3.465	2.52	2.44	1.22	2.95	0.945	1.22	1.22
RC2-30 X 80	mm	80	220	94	117	86	79	25	116	86	118	64	62	31	75	24	31	31
	in.	3.15	8.66	3.70	4.61	3.39	3.110	0.98	4.57	3.39	4.646	2.52	2.44	1.22	2.95	0.945	1.22	1.22
<b>Nominal force 50,000 N (5.62 Tons)</b>		<b>Initial return force 3500 N (787 lbs.)</b>					<b>Gas Spring T3-350</b>											
RC2-50 X 50	mm	50	190	120	140	56	105	29	110	103	88	75	72	40	75	24	36	35
	in.	1.97	7.48	4.72	5.51	2.20	4.134	1.14	4.33	4.06	3.465	2.95	2.83	1.57	2.95	0.945	1.42	1.38
RC2-50 X 80	mm	80	220	120	140	86	105	29	110	103	118	75	72	40	75	24	36	35
	in.	3.15	8.66	4.72	5.51	3.39	4.134	1.14	4.33	4.06	4.646	2.95	2.83	1.57	2.95	0.945	1.42	1.38
RC2-50 X 100	mm	100	240	120	157	126	105	29	110	120	158	75	72	40	75	24	36	35
	in.	3.94	9.45	4.72	6.18	4.96	4.134	1.14	4.33	4.72	6.220	2.95	2.83	1.57	2.95	0.945	1.42	1.38
<b>Nominal force 150,000 N (16.86 Tons)</b>		<b>Initial return force 5000 N (1124 lbs.)</b>					<b>Gas Spring T3-500</b>											
RCP2-150 X 50	mm	50	200	170	165	123	150	62	110	120	47	92	90	46	86.5	9	46	62
	in.	1.97	7.87	6.69	6.50	4.84	5.906	2.44	4.33	4.72	1.850	3.62	3.54	1.81	3.41	0.354	1.81	2.44
RCP2-150 X 80	mm	80	230	170	165	153	150	62	110	120	77	92	90	46	86.5	9	46	62
	in.	3.15	9.06	6.69	6.50	6.02	5.906	2.44	4.33	4.72	3.031	3.62	3.54	1.81	3.41	0.354	1.81	2.44
RCP2-150 X 100	mm	100	250	170	165	173	150	62	110	120	97	92	90	46	86.5	9	46	62
	in.	3.94	9.84	6.69	6.50	6.81	5.906	2.44	4.33	4.72	3.819	3.62	3.54	1.81	3.41	0.354	1.81	2.44

NOTE: Dimensions are subject to change without notice. All dimensions are nominal unless tolerance is stated.

# Hyson® Products

A Business of Barnes Group Inc.

10367 Brecksville Road • Brecksville, OH 44141 USA  
 Tel: 1-800-876-4976, 440-526-5900 • Fax: 440-526-6807  
 Email: hyson@asbg.com • www.hysonproducts.com