

T2SL Series

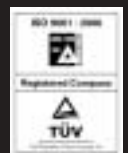
170 AND 300
MODELS
AVAILABLE!



Featuring:

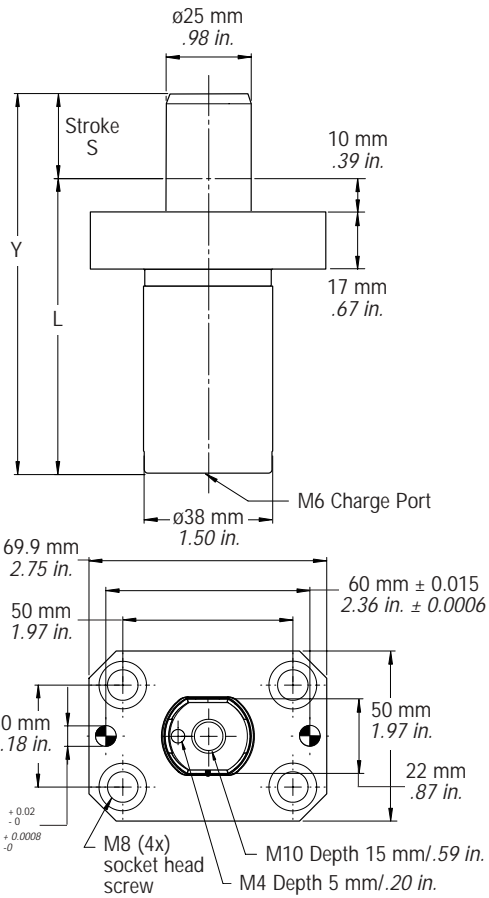
- Ideal for progressive dies.
- New 170 model can be hosed together for uniform force.
- All metric interfaces.
- Easily adjustable force.
- Guidance and lift incorporated in one compact design.
- No need for additional guide bushings or anti-rotation feature.
- Double tube design isolates gas spring from side load and fluid contamination.

Hyson™ Products
Associated Spring 



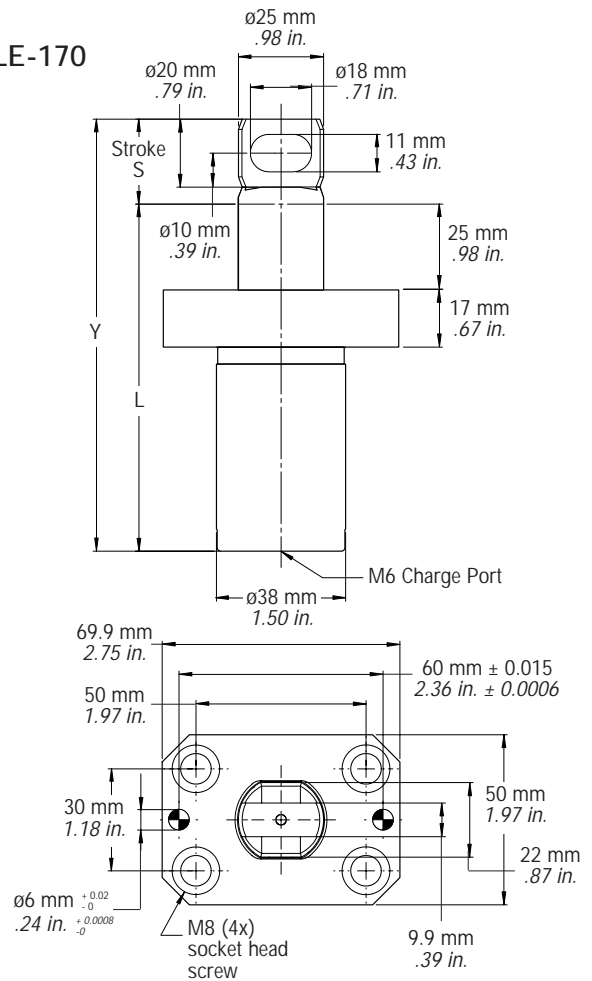
T2SLT-170 & T2SLE-170

T2SLT-170



Top View

T2SLE-170



Top View

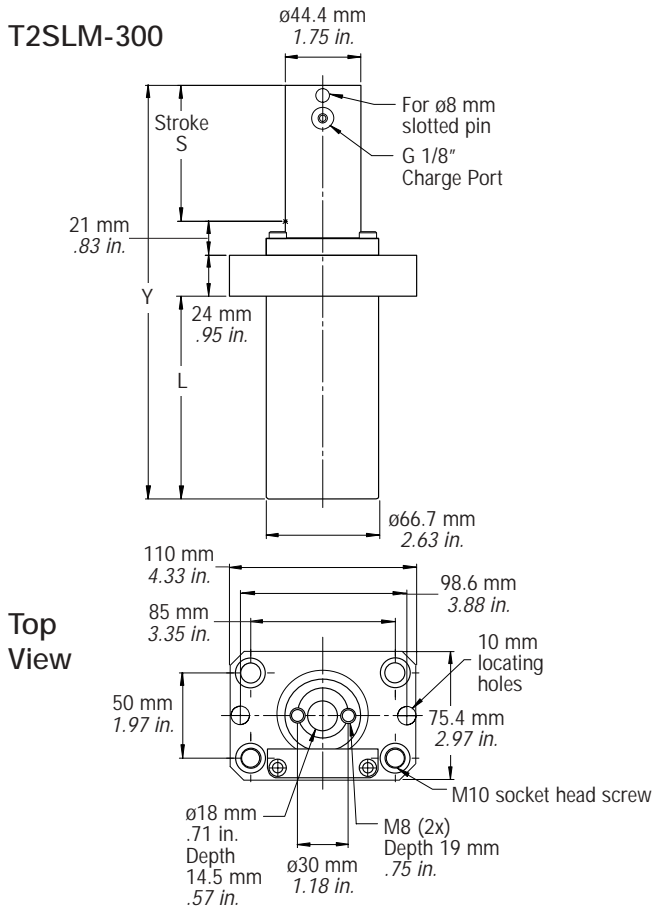
Product Specifications

Pressure Medium	Nitrogen
Charging Pressure Range	25 to 180 bar/360 to 2610 psi
Adjustable Force Range	240-1700 N (55-380 lbs.)
Operating Temperature Range	0-80° C/32-176° F
Max. Piston Rod Velocity	96 m/min./315 ft/min.
Maximum Utilized Stroke	100%
Repair/Replacement Gas Spring	T3-170

T2SLT-170 & T2SLE-170 Dimensional Information

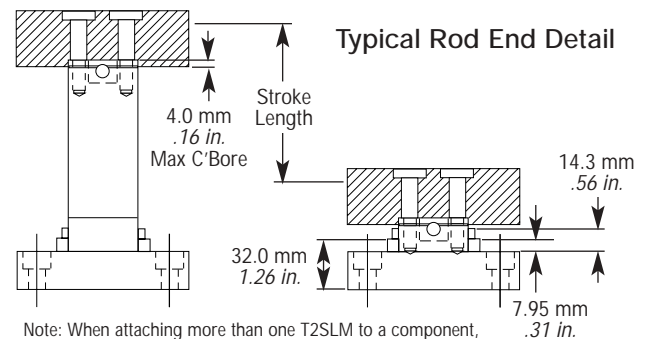
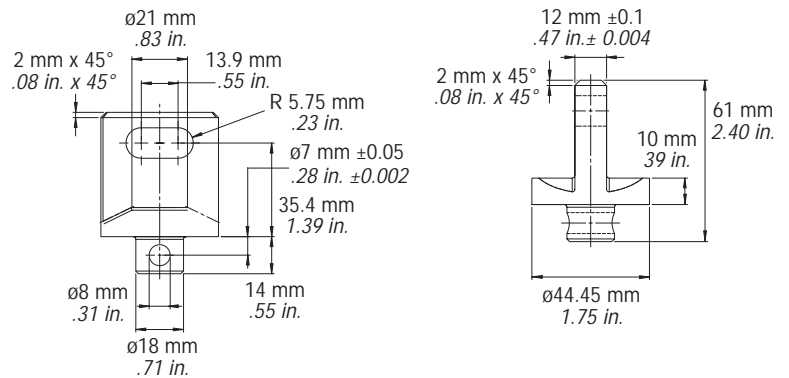
Order No.	Stroke S		Contact Force		Full Stroke Force		Y		L	
	mm	in.	N	lbs.	N	lbs.	mm	in.	mm	in.
T2SLT-170X025	25	0.98	1700	380	2800	630	112	4.41	87	3.43
T2SLT-170X038	38	1.50					138	5.43	100	3.94
T2SLT-170X050	50	1.97					162	6.38	112	4.41
T2SLT-170X080	80	3.15					225	8.86	145	5.71
T2SLT-170X100	100	3.94					265	10.43	165	6.50
T2SLT-170X125	125	4.92					315	12.40	190	7.48
T2SLE-170X025	25	0.98	1700	380	2800	630	127	5.00	102	4.02
T2SLE-170X038	38	1.50					153	6.02	115	4.53
T2SLE-170X050	50	1.97					177	6.97	127	5.00
T2SLE-170X080	80	3.15					240	9.45	160	6.30
T2SLE-170X100	100	3.94					280	11.02	180	7.09
T2SLE-170X125	125	4.92					330	12.99	205	8.07

Note: All dimensions are nominal. Data shown are typical. Actual data for any particular unit may vary.



Top View

SL-CAP-V



Note: When attaching more than one T2SLM to a component, Hyson recommends using shoulder bolts or stock lifter cap to allow for minor movement between the stock lifter rod and the component.

Product Specifications

Pressure Medium	Nitrogen
Charging Pressure Range	35 to 180 bar/500 to 2610 psi
Adjustable Force Range	620-3200 N (140-720 lbs.)
Operating Temperature Range	0-80° C/32-176° F
Max. Piston Rod Velocity	96 m/min./315 ft/min.
Maximum Utilized Stroke	100%
Repair Kit	T2SLMSK
Stock Lifter Cap with Pin	SL-CAP-V

T2SLM-300 Dimensional Information										
Order No.	Stroke S		Contact Force		Full Stroke Force		Y		L	
	mm	in.	N	lbs.	N	lbs.	mm	in.	mm	in.
T2SLM-300X025	25	0.98	3200	720	4300	967	146	5.75	76	2.99
T2SLM-300X050	50	1.97			4300	967	196	7.72	101	3.98
T2SLM-300X080	80	3.15			4350	980	256	10.08	131	5.16
T2SLM-300X100	100	3.94			4350	980	296	11.65	151	5.95
T2SLM-300X125	125	4.92			4350	980	346	13.62	176	6.93
T2SLM-300X150	150	5.91			4350	980	396	15.59	201	7.91
T2SLM-300X163	163	6.42			4350	980	422	16.61	214	8.43
T2SLM-300X175	175	6.89			4350	980	446	17.56	226	8.90
T2SLM-300X200	200	7.87			4350	980	496	19.53	251	9.88
T2SLM-300X210	210	8.27			4350	980	516	20.31	261	10.28

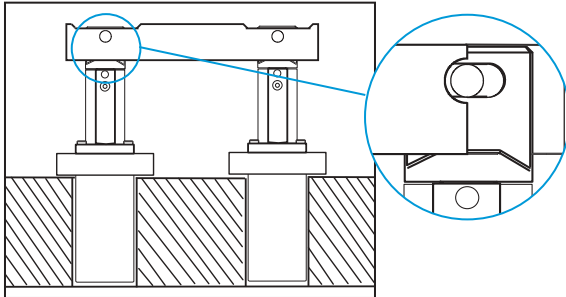
Note: All dimensions are nominal. Data shown are typical. Actual data for any particular unit may vary.

The T2SLM-300 in operation in a progressive die.

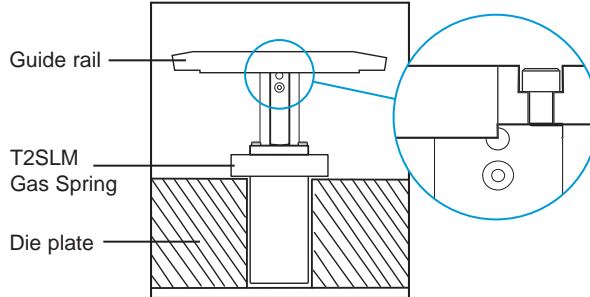


Mounting Options

Double-point Lifting



Single-point Lifting



T2SL-170 Force Chart (at 180 bar/2610 psi)

Utilized Stroke	mm	in	mm	in	mm	in	mm	in	mm	in	mm	in
	N	lb.	N	lb.	N	lb.	N	lb.	N	lb.	N	lb.
T2SL-170X25	2839	638										
T2SL-170X38	2308	519	2822	634								
T2SL-170X50	2129	479	2441	548	2822	634						
T2SL-170X80	1953	439	2108	474	2275	511	2839	638				
T2SL-170X100	1899	427	2014	453	2134	480	2508	564	2839	638		
T2SL-170X125	1858	417	1945	437	2033	457	2294	515	2508	564	2839	638

T2SLM-300 Force Chart (at 180 bar/2610 psi)

Utilized Stroke	mm	in	mm	in	mm	in	mm	in	mm	in	mm	in	mm	in	mm	in	mm	in	mm	in
	N	lb.	N	lb.	N	lb.	N	lb.	N	lb.	N	lb.	N	lb.	N	lb.	N	lb.	N	lb.
T2SLM-300X25	4250	956																		
T2SLM-300X50	3655	822	4285	964																
T2SLM-300X80	3465	779	3800	855	4300	967														
T2SLM-300X100	3405	766	3660	823	4025	905	4305	969												
T2SLM-300X125	3355	755	3555	800	3825	860	4025	905	4305	969										
T2SLM-300X150	3330	749	3485	784	3700	832	3855	867	4070	916	4310	970								
T2SLM-300X163	3315	746	3465	779	3655	822	3790	853	3985	896	4195	944	4310	970						
T2SLM-300X175	3305	744	3440	774	3615	813	3745	842	3915	881	4105	924	4210	947	4310	970				
T2SLM-300X200	3290	740	3405	766	3555	800	3665	824	3805	856	3960	891	4050	911	4130	929	4315	971		
T2SLM-300X210	3285	739	3395	764	3540	796	3635	818	3775	849	3815	881	3995	899	4070	916	4245	955	4315	971

T2SL Ordering Options

T2SLT-170X080 -
 Model Charge Pressure*

*All gas springs shipped at maximum charge pressure unless otherwise specified.

Hyson™ Products
 Associated Spring®